

CAMON

ALL-IN-ONE CHIPPER

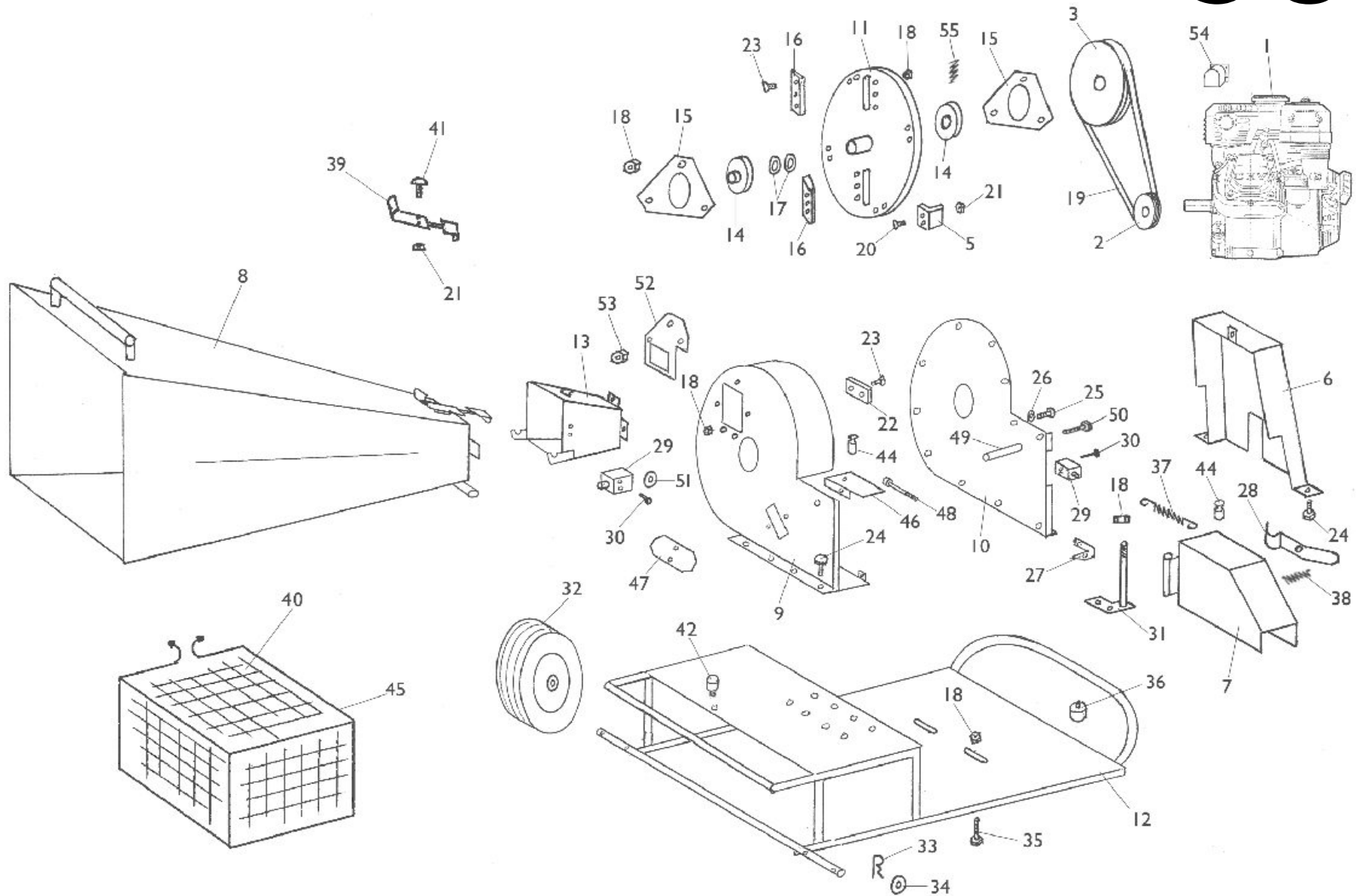
MODEL C50

PARTS DIAGRAM

(from serial number 50154)



C50



<u>Diag No</u>	<u>Part No</u>	<u>Description</u>	<u>Qty</u>	<u>Diag No</u>	<u>Part No</u>	<u>Description</u>	<u>Qty</u>
1	480101	Honda GX160 QXQ4 Engine	1	28	480128	Chute Latch	1
2	480102	Engine Pulley	1	29	480129	Lock-Out Switch	2
3	480103	Rotor Pulley	1	30	480130	Screw	2
5	480105	Fan Blade	4	31	480131	Swivel Post	1
6	480106	Belt Cover	1	32	480132	Wheel	2
7	480107	Discharge Chute	1	33	58002052	'R' Clip	4
8	480108	Chipping Chute	1	34	480134	Washer	4
9	480109	L H Rotor Housing	1	35	31112154	Bolt	4
10	480110	R H Rotor Housing	1	36	013900000	Rubber Foot	2
11	480111	Rotor Disc	1	37	58049942	Spring	1
12	480112	Chassis	1	38	58057232	Spring	1
13	480113	Chute Bracket	1	39	480139	Latch	1
14	000829382	Shaft Bearing	2	40	480140	Collector Bag	1
15	550002125B	Bearing Carrier (pair)	2	41	31112090	Bolt	2
16	013300800	Chipping Blade	2	42	480142	Buffer	1
17	080009060	Shim	As req'd	44	480144	Post	2
18	31241080	Nut	30	45	480145	Bag Frame	1
19	480119	Drive Belt	1	46	480146	Discharge Cover	1
20	480120	CSK Screw	8	47	480147	Cover Plate	1
21	31241060	Nut	20	48	480148	Capscrew	1
22	013000080	Fixed Blade	1	49	480149	Spacer Tube	1
23	500011008	CSK Bolt	8	50	480150	Bolt	1
24	31112150	Bolt	10	51	480151	Washer	4
25	480125	Capscrew	10	52	480152	Baffle Plate	1
26	31423084	Washer	29	53	480153	M8 Nyloc 'T'	3
27	480127	Hinge Bracket	1	54	18342-733-010	Exhaust Deflector GX160	1
				55	480155	Grubscrew	4

